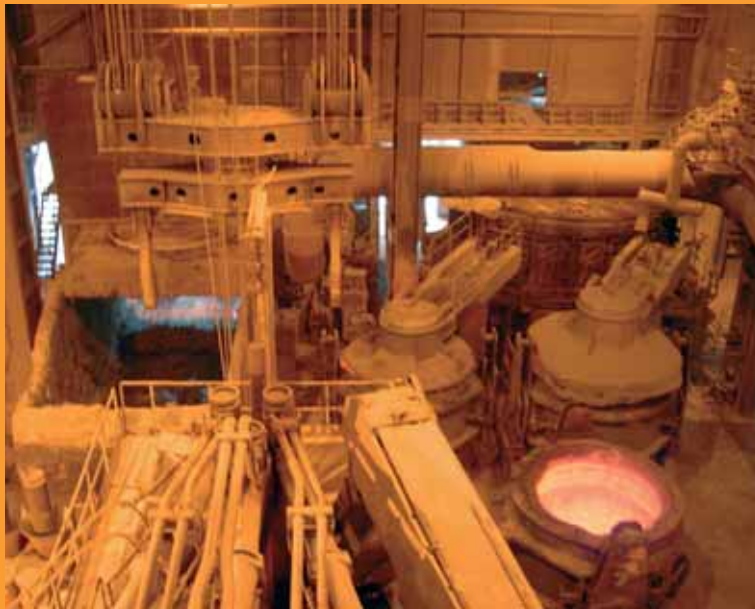


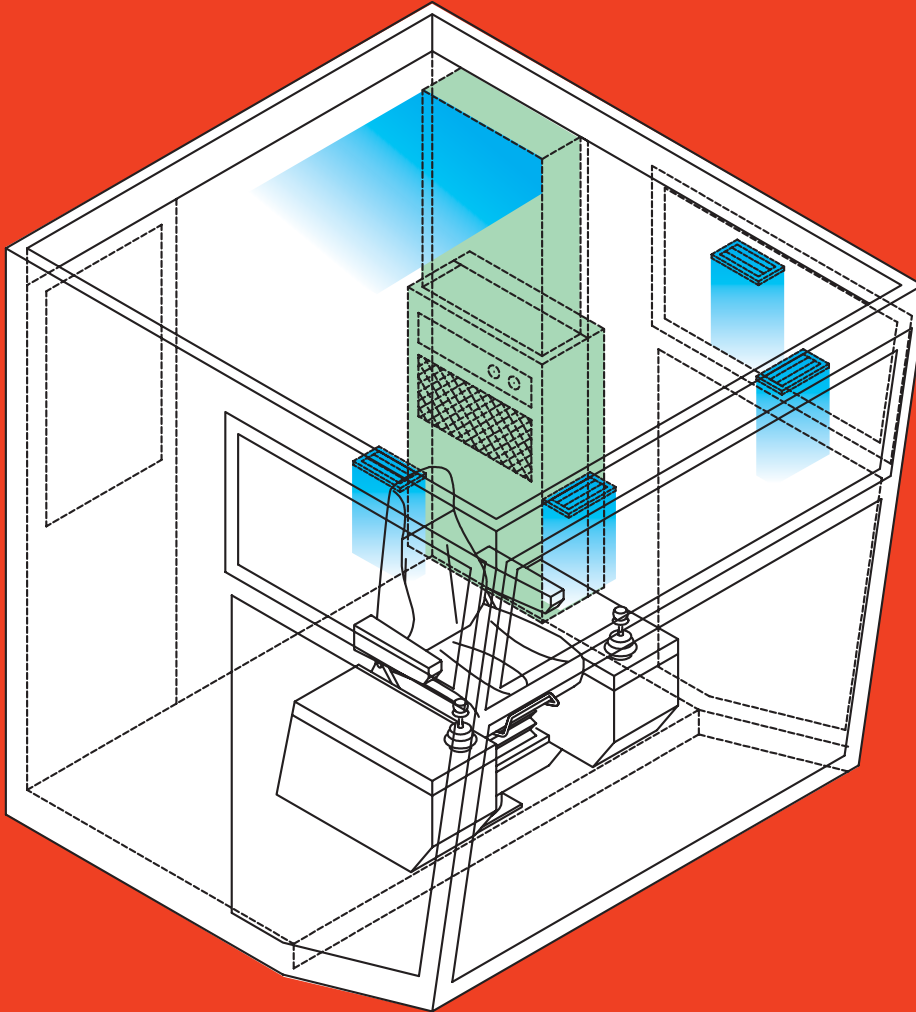


Cabin intalled on existing plant



Steel Mill Plants Cabins

Heat insulation
Glasses with high thermal resistance
and against heat irradiation
Wide visibility on the working area
Floor insulated with melamine resin
Heat shield under the cabin
Brieda Air conditioner HTB suitable
to work with high temperatures
up to 70°C
Power range from 3 kW to 6 kW.
The air distribution is from the roof
through adjustable small openings,
which ensure a uniform air diffusion.



A yellow industrial crane is shown in a factory setting. The crane has a glass-enclosed operator's cab with a yellow frame and a red hook assembly. The crane is suspended from a blue steel structure. The background shows a blue wall and a window.

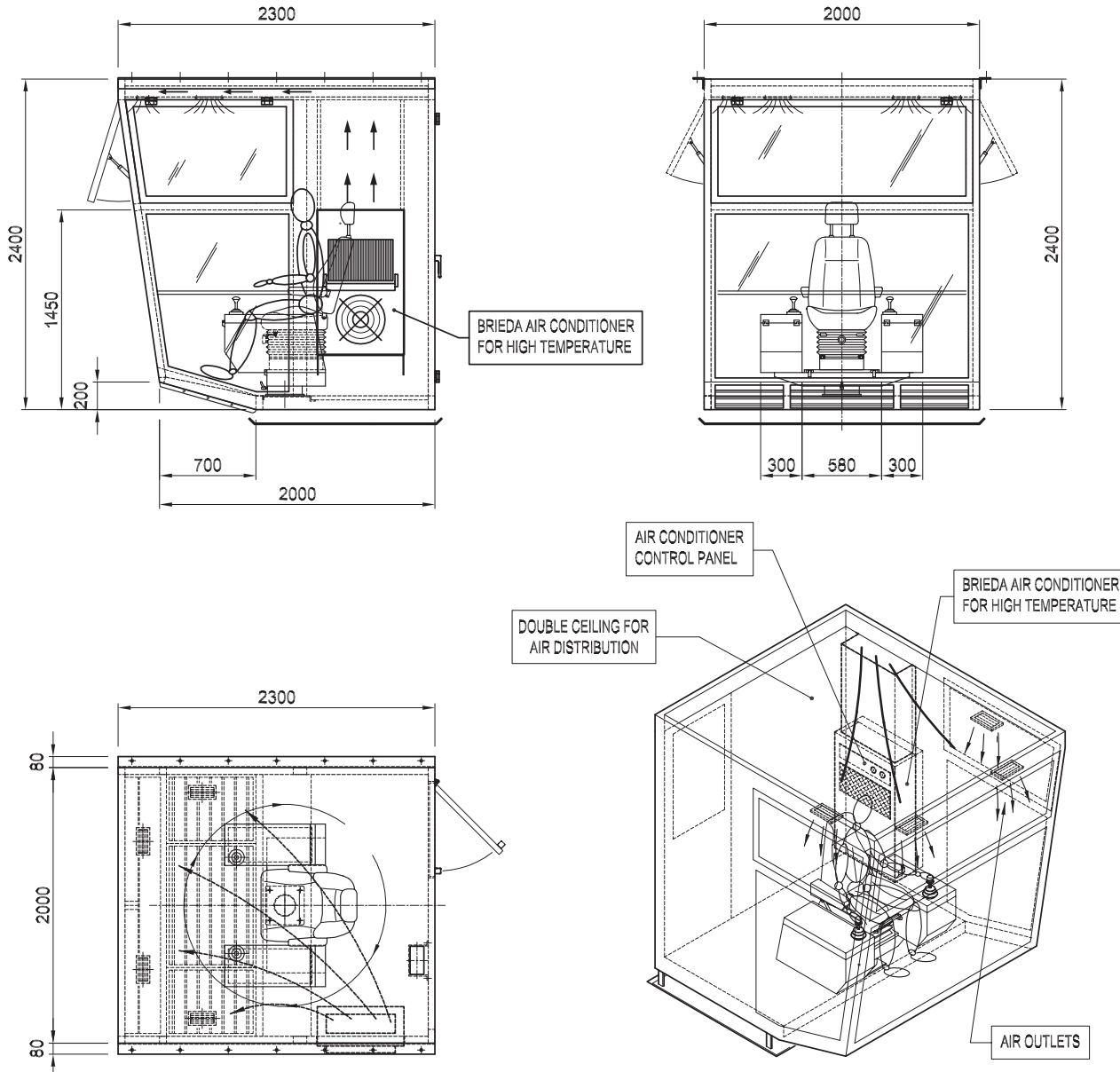
SMP 45

SMP 45

Polivis X for Steel Mill Plant

General drawing

- Heat insulation
 - Glasses with high thermal resistance and against heat irradiation
 - Wide visibility on the working area
 - Floor insulated with melamine resin
 - Heat shield under the cabin
 - Brieda Air Conditioner HTB suitable to work with high temperatures up to 70°C
- Power range from 3 kW to 6 kW.
The air distribution is from the roof through adjustable small openings, which ensure an uniform air diffusion.



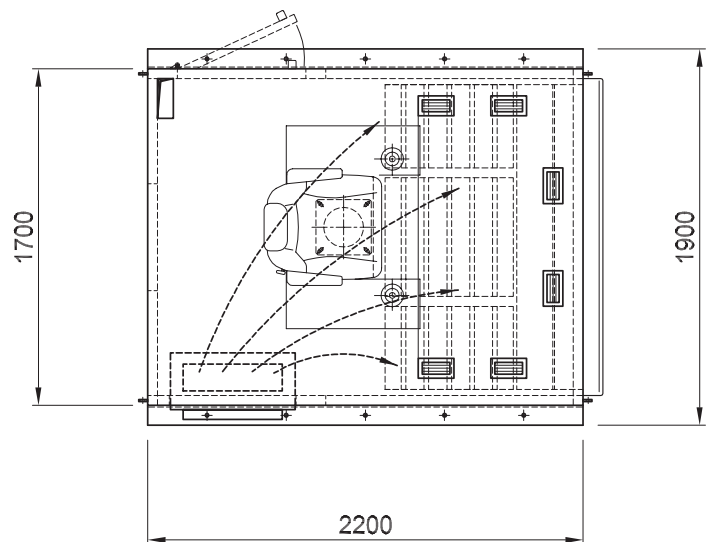
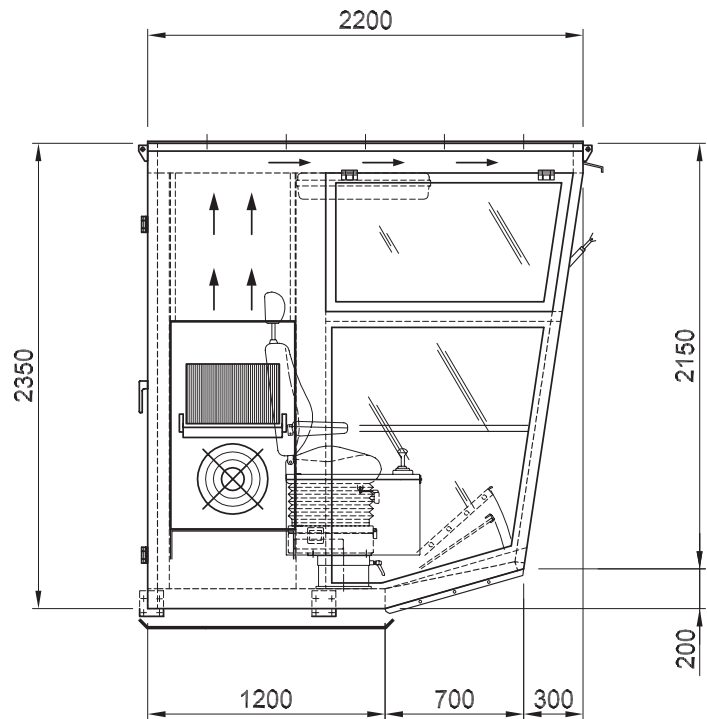
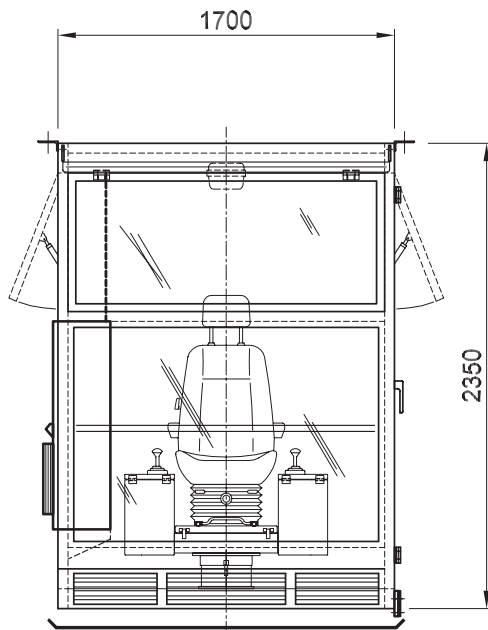


Wall Air Conditioner installation



Air Conditioner inside view





SMP 67

Polivis X
with Air conditioner HTB
and Control Station Brieda PMB10

General drawing



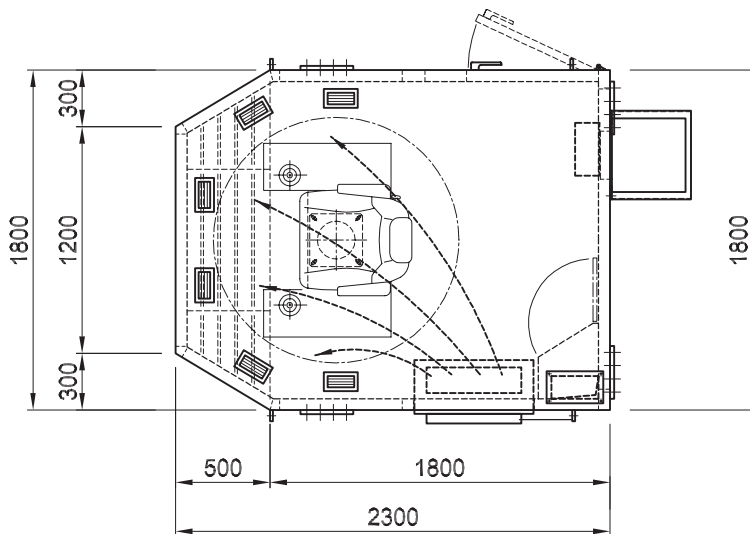
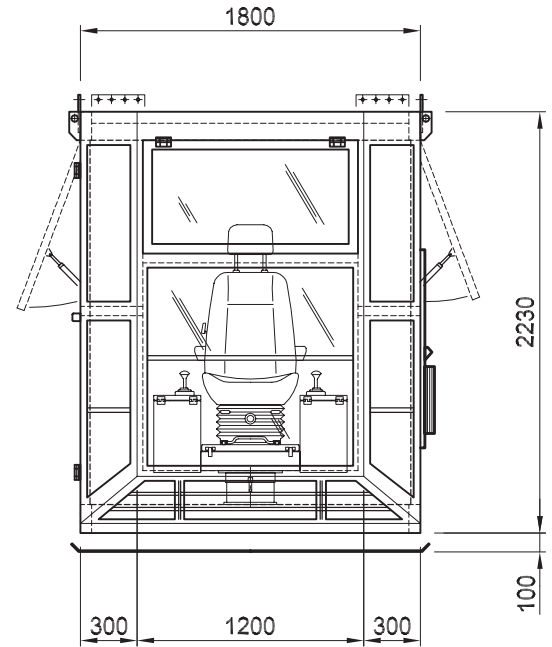
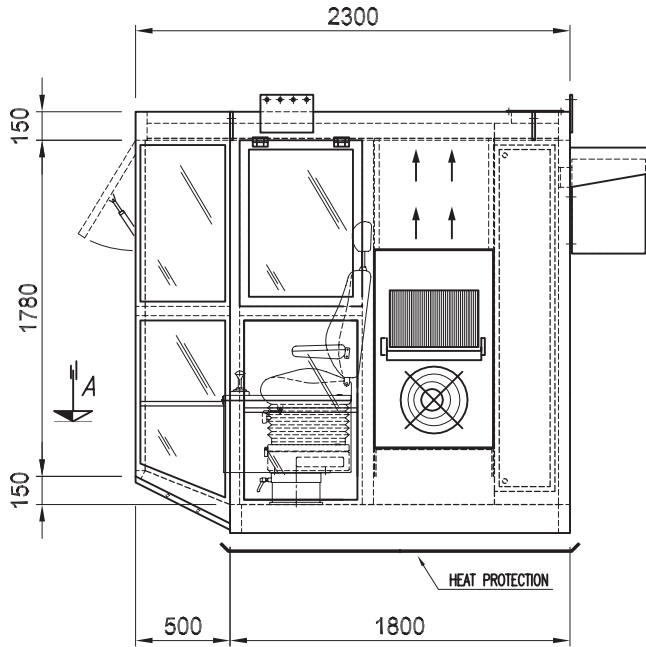
Cabin view

Air Conditioner
installation detail



Air Conditioner
control panel detail





SMP 89

Multivision Cabin
with Air conditioner HTB
and Control Station Brieda PMB10

General drawing



SMP 101



Cabin view

Brieda PMB11 Control Station



Cabin view

SMP 101

Polivis H
with Control Station Brieda PMB11

- Special mesh heat protection
- Bullet-Proof glasses

BRD PMB 11
Control Station



High Ergonomic Cabin
with PMB10 Control Station

- Particular Features:
- Special Mesh Heat Protection
 - Wall Insulation 100 mm
 - High visibility cabin



Stainless steel heavy duty Brieda Air Filtering and Recharge System PRF501490CK

Filtering:

- Stage 1, filter for rough particulated matter class G4
- Stage 2, filter for fine particulated matter, rigid pockets F9
- Stage 3, regenerable double active carbon filter (organic substances, hydrocarbons, Aromatic solvents, Acid gases, H2S, Metyl mercaptan, Active sulphur compounds, NOx, SO2, CO, CO2, H2S)



Brieda Air Conditioner HTB06UTA0

Technical features:

- Internal unit (antiacid) 6000W
- External unit (structure in stainless steel for SO2), 5000W
- Cooling power: 6 kW
- Heating power: 2 kW
- Gas R 134 A with construction features suitable to work in an environment SO2 and temperatures from -10°C to +65°C



States	Destination	Customer	Qty	Year
Egypt	El Dikheila W.R.W.	Danieli I.T.I - Italy	6	1985
Italy	Taranto - Italsider	Danieli I.T.I - Italy	1	1985
Mexico	De Acero	Danieli I.T.I - Italy	8	1985
Ussr	Micord	Danieli I.T.I - Italy	1	1986
Ussr	Sumy	Mannesmann - Italy	7	1986
Ussr	Sumy	Danieli I.T.I - Italy	8	1986
Ussr	Voljsky	Danieli I.T.I - Italy	12	1986
China	Shangay	Ansaldo - Italy	2	1987
Venezuela	Sidor	Badoni - Italy	9	1988
Taiwan	Koahsiung	Ansaldo - Italy	2	1989
Arabia Saudita	Hadeed	Danieli I.T.I - Italy	8	1990
U.S.A.	Cascade	Danieli I.T.I - Italy	3	1990
China	Tianjin	Danieli I.T.I - Italy	3	1990
Italy	Alcan	Danieli I.T.I - Italy	3	1991
Mexico	De Acero	CST	4	1991
Italy	Novi Ligure - Ilva	Danieli I.T.I - Italy	1	1992
Italy	Arvedi	Köthen - Germany	2	1992
Mexico	De Acero	Danieli I.T.I - Italy	4	1992
Italy	Taranto	Gamma Taranto - Italy	1	1993
China	Yieh	Man Nürberg - Germany	5	1993
China	Yieh	Man Nürberg - Germany	2	1993
Taiwan		Danieli I.T.I - Italy	1	1993
Belgium	Marcinelle	Danieli I.T.I - Italy	2	1994
Iran	Yazd	Mannesmann - Germany	46	1994
Malaysia		Ceretti Tanfani - Italy	1	1994
Italy	Taranto - Ilva	Sorim - Italy	2	1994
Mexico	De Acero	Danieli I.T.I - Italy	9	1994
Egypt		Mannesmann - Germany	4	1994
Ukrajina		Mannesmann - Germany	4	1994
Finland	Finland	Danieli I.T.I - Italy	1	1995
Thailand		Danieli I.T.I - Italy	2	1995

States	Destination	Customer	Qty	Year
Thailand		Danieli I.T.I - Italy	4	1995
Great Britain	British Steel	Butterley Engineering	2	1996
Great Britain	British Steel	Butterley Engineering	2	1996
Iran	Yazd	Mannesmann - Germany	2	1996
Iran	Yazd	Mannesmann - Germany	6	1996
Great Britain	British Steel	Butterley Engineering	1	1996
Ukrajina		Mannesmann - Germany	3	1996
Austria	Salzburg	Mannesmann - Salzburg	4	1996
Italy	Ilva	Mannesmann Dem. - Germ.	2	1997
Italy	Italy	ABS - Italy	1	1997
Italy	Italy	Spaggiari - Italy	1	1997
Iran		Danieli - Italy	4	1997
Italy	Ilva	Mannesmann Dem. - Germ.	1	1997
Egypt		Mannesmann Dematic	3	1997
Finland	Rautaruuki	Mannesmann Dematic	1	1997
Germany		Mannesmann Dematic	2	1997
Italy	Marcegaglia	Reggiane spa - Italy	1	1997
Germany	Thyssen	Mannesmann - Germany	2	1997
Italy	Pittini	Transmecc	1	1997
Australia	Sidney	Eilbeck Cranes - Australia	1	1997
Italy	Ilva Genoa	Mannesmann Dem. - Germ.	2	1998
Germany	BMW AG	Mannesmann Dem. - Germ.	2	1998
Belgium		Reel - France	1	1998
Austria		Mannesmann Dem. - Austria	2	1998
Austria		Mannesmann Dem. - Austria	1	1998
Austria	Welser	Mannesmann Dem. - Germ.	2	1998
Germany	Bilstein	Mannesmann Dem. - Germ.	1	1998
Italy	Italy	Michielotto - Italy	1	1998
Germany	Salzgitter	Mannesmann Dem. - Germ.	1	1998
Italy	Italy	F.lli dal Ben - Italy	1	1998
Pakistan		Intertech Handles - Austria	3	1998

States	Destination	Customer	Qty	Year
Italy	Italy	Tecnofer - Italy	1	1998
Italy	Italy	I.I.E. - Italy	1	1998
Germany	Köthen	Fak•Köthen - Germany	2	1998
Germany	MHP	Mannesmann Dem. - Germ.	2	1998
Sri Lanka		Mannesmann Dem. - Germ.	1	1998
Finland	Fundia	Mannesmann Dem. - Germ.	1	1998
Greece	Halyvourgia	Mannesmann Dem. - Germ.	1	1998
Iran	Esfahan	Mannesmann Dem. - Germ.	1	1998
Italy	Fincantieri	Goriziane - Italy	8	1998
Belgium		Reel - France	1	1998
Italy	La Magona	Mannesmann Dem. - Germ.	2	1998
Germany	Haniel Bau	Mannesmann Dem. - Germ.	2	1998
Germany	Herwitte	Mannesmann Dem. - Germ.	1	1998
Italy	Ilva - Genoa	Mannesmann Dem. - Germ.	2	1999
Italy	Ilva - Taranto	Techint Italimpianti - Italy	2	1999
Austria		Mannesmann Dem. - Salz. b.	1	1999
Great Britain	British Steel	Mannesmann Dem. - Germ.	1	1999
Italy		OMIS	1	1999
Ecuador		Mannesmann Dem. - Germ.	1	1999
Spain		Mannesmann Dem. - Germ.	1	1999
Pakistan		Waagner Biro Austria	3	1999
Italy		Comas - Italy	1	1999
Greece		Tecnofer - Italy	1	1999
Italy	Savona	Tecnofer - Italy	1	1999
Bielorussia		Kranbau Köthen - Germany	9	1999
Italy	La Magona	Mannesmann Dem. - Italy	2	1999
Germany	Schmole & Bickenbach	Mannesmann Dem. - Germ.	2	1999
Australia	Sidney	Eilbeck Cranes - Australia	1	1999
Germany		KFN-Germany	1	2000
Germany	Dickerhoff Zement	Mannesmann - Germany	2	2000
Italy		Vallicelli - Italy	2	2000

States	Destination	Customer	Qty	Year
Italy	Ilva	Essebi - Italy	1	2000
Germany	Panopa	Mannesmann Dem. - Germ.	4	2000
Azerbaijan		Gopla - Slovenia	2	2000
Austria	Salzburg	Mannesmann-Austria	1	2000
China		voest Alpine-Austria	1	2000
France	EDF Grenoble	Spie Trindel-France	1	2000
Italy	Ilva Laminati Piani	Mannesmann Dem. - Germ.	2	2000
France	Guarin Ramecroix	REEL - France	1	2000
Saudi Arabia		Mannesmann Dem. - Germ.	3	2000
England	/	Mannesmann Dem.-England	1	2000
Germany	Hamburg winsen	Mannesmann Dem. - Germ.	1	2000
Germany	Hamburg - Winsen Germany	Mannesmann D. Germany	1	2000
Germany	Jebens	Mannesmann Dem. - Germ.	1	2000
France	C/M de Haccourt	Reel - France	1	2000
Germany	Columbus	Mannesmann Dem. - Germ.	1	2000
France	Brest	CPR - France	1	2000
Italy		Comas	1	2000
Germany	Thyssen	Mannesmann Dem. - Germ.	1	2000
Austria		Kuenz - Austria	1	2000
Germany	Bochum	Mannesmann Dem. - Germ.	1	2000
China	Machong	Mannesmann Dem. - Germ.	1	2000
Australia	/	Demag - Germany	1	2001
Italy	Pittini Ferriere Nord	Valtorta - Italy	1	2001
Italy		Comas - Italy	1	2001
Hungary	Hungary	Intertech/VA MCE Austria	1	2001
Germany	Fisher	Demag - Germany	1	2001
Germany	Preymesser	Demag - Germany	2	2001
France	France	Konecranes - France	1	2001
Australia	/	T.Eilbeck - Australia	1	2001
Germany	/	Kranbau Koethen Germany	2	2001
Germany	Thyssen	Kranbau Koethen Germany	2	2001

States	Destination	Customer	Qty	Year
Norvegia	Alstom	Konecranes - Francia	1	2001
France	/	Konecranes-France	1	2001
Egypt		Demag - Germany	2	2001
Germany	Panopa	Demag - Germany	2	2001
Germany	Thyssen	Demag - Germany	2	2001
Chile	Chile	Boart Longyear-Chile	1	2001
France	Gargenville	Reel-France	1	2001
Italy		Lario Impianti-Italy	1	2001
Italy	Cementerie Merone	Demag - Germany	1	2001
Italy	Cagliari	Tecnocasic-Italy	2	2001
France	Sonasid	Konecranes - France	1	2001
Italy	Terni	Acciai Speciali Terni-Italy	2	2001
Norway	Norway	Reel - France	4	2001
Ukraina	Ukraina	Demag - Germany	2	2001
Italy	Milan	Demag - Milan	1	2001
Germany	Hoesch	Demag - Germany	4	2001
France	Pouchard	Konecranes - France	1	2001
Germany	Salzgitter	Demag - Germany	2	2001
England	Corus	Demag - England	4	2001
Italy	Cagliari	Tecnocasic-Italy	1	2001
Slovenia	Koper	Intertech - Austria	1	2002
Italy	/	Demag Cranes - Italy	1	2002
Slovenia	Rijeka	Andino - Slovenia	2	2002
Svizzera	Holcim	Demag Cranes Germany	1	2002
India	Ghazi Barotha	Riva Calzoni - Italy	1	2002
Hungary	/	Kranbau Kothen - Germany	1	2002
France	/	Metareg - France	2	2002
Iran	/	Litostroj - Slovenia	5	2002
United States	/	EMH - USA	1	2002
France	/	DAC - France	1	2002
France	/	CMI - France	1	2002

States	Destination	Customer	Qty	Year
France	Marseille	Sovam - France	1	2002
Italy	Udine - ABS	Danieli - Italy	1	2002
Austria	/	Hans Kunz - Austria	2	2002
Norway	/	Reel - France	4	2002
France	ADC Fayat	Comete - France	1	2002
Germany	Salzgitter	Demag Cranes - Germany	4	2002
France	/	Konecranes - France	2	2002
Germany	Preymesser	Demag - Germany	2	2002
Italy	Acciaierie Bertoli Safau	Danieli - Italy	1	2002
Kenia	/	Konecranes - Francia	1	2002
Austria	Voest Alpine	Kunz - Austria	1	2002
Chile	CODELCO	Boart longyear - Chile	2	2002
Italy	/	Comas - Italy	4	2002
Francia	EOT - Sollac	Danieli - Italy	2	2002
Spain	Ceferino	Demag - Germany	1	2002
Germany	Welser	Demag - Germany	1	2002
Italy	Ferriere Nord	Pittini Ferriere Nord	1	2002
Germany	Johan Hay	Demag - Germany	1	2002
Australia	/ - gantry crane	Demag Cranes - Australia	1	2002
Australia	/	T.Eilbeck - Australia	1	2002
Italy	/	CT Crane - Italy	1	2003
Germany	Daimler -Chrysler	Demag Cranes Germany	1	2003
Israel	/	Molram Ind. - Israel	2	2003
France	Duferco	Konecranes - France	2	2003
Italy	Ilva	Demag Cranes - Italy	2	2003
Italy	/	Comas - Italy	3	2003
Austria	Linz - Voest Alpine	Voest Alpine - Austria	1	2003
France	/	Comete - France	1	2003
Bolivia	Cochabamba	Boart Long Year - Chile	1	2003
Germany	Barleben-Kranbau Kothen	Intertech - Austria	1	2003
Australia	/	Demag Cranes - Germany	1	2003

Steel Mill Plants 20 | 21 Reference

States	Destination	Customer	Qty	Year
England	Bredero Shaw	Demag Cranes - England	1	2003
Italy	/	Riva Calzoni - Italy	1	2003
Azerbajdzan	/	Gopla - Slovenia	1	2003
Italy	/	Carpenteria Almici-Italy	1	2003
Greece	Salonicco	C.Rokas - Greece	2	2003
Germany	Hoesch Holimburg	Demag Cranes - Germany	1	2003
China	China	Konecranes France	1	2003
Germany	Oelsnitz/Vogtl	Bang Krans. - Germany	1	2003
Iran	Steel Mill plant	Siag - Italy	2	2003
France	Cementerie	Reel - France	1	2003
Belgium	Inusteel/Auvelais - Belgium	Marcel Mouyard - Belgium	1	2003
Germany	Daimler Chrysler	Demag Cranes C - Germany	1	2003
Tunisia	/	Konecranes - France	3	2003
China	/	Konecranes - France	1	2003
Iran	/	Kone Cranes-France	4	2003
Italy	Ilva - Genova	Ansaldo R.-Italy	1	2003
Germany	Decete	CGP-Konecranes-France	2	2004
Iran	Iran	Litostroj-Slovenia	1	2004
Italy	Funivia Crot - Piemonte	CT Crane Team-Italy	1	2004
Germany	Oelsnitz	Bang Krans.-Germany	1	2004
Greece	Greece	Caillard - France	2	2004
France	Toulouse	CGP-Konecranes-France	1	2004
France	Narbonne	Caillard - France	2	2004
France	Bonniers Sur Seine	Iton - France	1	2004
Australia	Sydney	Demag Cranes - Germany	1	2004
China	Riszhaio	Buhler AG-Svizzera	1	2004
England	Banbury	Demag Cranes - England	1	2004
Marocco	Sonaside	CGP-Konecranes - France	8	2004
Brasil	Minas Gerais	Polysius/Krupp-Brasil	1	2004
France	Alpa	Alpa-France	1	2004
France	Anthon	Comete Ind.-France	1	2004

States	Destination	Customer	Qty	Year
Bulgaria	Bourgas	Voest Alpine	8	2004
Belgium	Belgium	Kone cranes - France	3	2004
Spain	Madrid	Demag Cranes - Spain	1	2004
China	China	Buhler - Switzerland	1	2004
England	Castel Cement Padeswood	Demag Cranes-Germany	2	2004
Italy	Vobarno	Carpenteria Mecc.Almici	1	2004
Italy	Treviso	Comas - Italy	1	2004
Italy	Piombino - Livorno	Sider P. - Italy	1	2004
Germany	Koethen	Kranbau Koethen -Germany	1	2004
China	MSFAC	ECL - France	6	2004
Italy	Vicenza	Acciaierie Beltrame-Ital	1	2004
England	England	Butterley Eng. England	3	2004
France	Tullins	CMI - France	1	2004
France	France	CGP-Konecranes-France	2	2004
Germany	Germany	Demag Cranes & Comp.	1	2005
Italy	Genoa - Italy	Sie Solari Spa - Italy	1	2005
Italy	Nuoro	Tossilo SPA	2	2005
Alumar	France	ECL	2	2005
France	France	Somiram SA	1	2005
Chile	Chile	FAM - Germany	4	2005
France	France	Alpha	1	2005
Germany	Oelsnitz	Bang Kransystem	1	2005
Armenia	Armenia	Rusal Armenal CJSC	4	2005
Belgium	Belgium	Eurogroup SPA	1	2005
Italy	Cargnacco	Acciaierie Bertoli Safau	1	2005
Spain	Spain	Demag Cranes -Spain	1	2005
Italy	Rescaldina MI	V.Borghini & C. SAS	1	2005
Lanzou	Lanzou	ECL	2	2005
Italy	Treviso	CO.MAS - Italy	2	2005
Kenia	Mombasa Plant	Bamburi Cement - Kenia	1	2005
Australia	Australia	Demag Cranes & C. PTY	1	2005

States	Destination	Customer	Qty	Year
Hungary	Hungary	Demag Cranes & C. - Ger	1	2005
Italy	Agrate Brianza - Milan	Demag Cranes & C. - Ita	3	2005
Hungary	Burgas	Voestalpine - Austria	2	2005
Algeria	Algeria	Konecranes France	2	2005
France	Boigny Sur Bionne	CGP Konecranes-France	2	2005
China	China	Deal - Italy	4	2005
Austria	Zementwerk	Demag Cranes-Germany	1	2005
Germany	Daimler & Chrysler	Demag Cranes - Germany	1	2005
Italy	Macherio - Milan	Valtorta - Italy	1	2005
Italy	Vobarno - Brescia	Carpenteria Mecc. Almici	1	2005
France	Le Havre	Caillard Konecranes	1	2005
Austria	Linz	Voestalpine - Austria	1	2005
France	Cherbourg	Reel S.A	1	2006
Great Britain	Ripley	Butterley Engineering	2	2006
Belgium	Duferco-Belgium	ATS	1	2006
Iran	Iran	Demag Cranes-Germany	3	2006
Italy	BUTTRIO	Danieli -Italy	1	2006
Austria	Austria	Demag-Germany	1	2006
Germany	Wetter	Demag-Germany	3	2006
France	France	ECL	4	2006
Austria	Austria	Hans Kuenz Gmbh	1	2006
Germany	Hansehafen Magdeburg	Intertech Handels	1	2006
Italy	Italy	PRISMA Impianti srl	1	2006
France	France	E.C.L	7	2006
Check Rep.	Slany	Demag Cranes -Germany	2	2006
Hunghery	Hunghery	Ganz Danubius	1	2006
Iceland	Fjardaal	ECL	7	2006
Australia	Australia	Demag Cranes-Australia	1	2006
Italy	Castagnole di Paese	CO.MAS. srl	2	2006
Russia	Russia	FAM-Russia	15	2006
Finland	Finland	FAM-Russia	1	2006

States	Destination	Customer	Qty	Year
France	France	CMI	1	2006
Hoesch	Hoesch	Demag Cranes-Germany	1	2006
Italy	Agrate Brianza	Demag Cranes -Italy	4	2006
Italy	Odolo - Brescia	Leali SPA	3	2006
India	India	Seik Srl	2	2006
France	France	Reel S.A	2	2006
Italy	ILVA Genoa	V.Borghi & cC. SAS	2	2006
Dubal	Dubal	ECL	5	2006
India	Nalco	E.C.L.	5	2007
Italy	Italy-EOT proj	Danieli-Italy	2	2007
France	France	ITON SEIN-RIVA	1	2007
Iran	Hormozal	E.C.L.	1	2007
France	Finland	E.C.L.	1	2007
Italy	Piombino	DUE EMME srl	1	2007
France	France	ECL	4	2007
U.A.E.	Dubal-Dubai	E.C.L.	4	2007
Greece	Greece	Rokas Group	3	2007
Italy	Brescia	ALFA ACCIAI SPA	1	2007
Germany	Germany	Demag Cranes & Component	1	2007
Greece	Greece	ROKAS GROUP	2	2007
Russia	Russia	E.C.L.	5	2007
France	France	Demag Cranes & Comp.	2	2007
Italy	Italy	Demag Cranes & Comp.	1	2007
U.A.E.	Dubai	Demag Cranes & Comp.	10	2007
India	India-Nalco	E.C.L.	1	2007
Italy	Italy	TREVOOLUTION	1	2007
Italy	Italy	VALTORTA	1	2007
U.A.E.	U.A.E	E.C.L.	5	2007
France	France	E.C.L.	5	2007
Greece	Athens	Rokas	4	2007
Italy	Vobarno	Carpenteria Mecc. Almici	1	2007

States	Destination	Customer	Qty	Year
Italy	Marcegaglia	CO.MAS. srl	3	2007
Bulgaria	Bulgaria	Demag Cranes Germany	1	2007
Australia	Australia	Demag Cranes Australia	5	2007
France	France	E.C.L.	3	2007
France	France	E.C.L.	1	2007
China	China	Danieli-Italy	1	2007
Russia	Russia	Demag Cranes-Germany	2	2007
Italy	Ambivere	ITALGRU	1	2007
India	NALCO	ECL	4	2007
Italia	Italia	OMIS COMMERCIALE	1	2007
Italy	Osnago	Lario Impianti	1	2007
India	Vedanta	E.C.L.	16	2007
Germany	Slany	Demag Cranes and Com,	2	2007
Italy	Ambivere	BONFANTI srl	1	2007
Austria	Hard-Austria	HANS KUENZ GMBH	5	2007
Italy	Italy	ABS	1	2007
Austria	Austria	Hans Kuenz GmbH	2	2007
FRANCE	ALUAR	E.C.L.	1	2008
England	Bambury	Demag Cranes -England	1	2008
Italy	Thyssenkrupp Terni	SIDER PIOMBINO	1	2008
Italy	Italy	CO.MAS srl	2	2008
Greece	Tripoli	ROKAS Group	1	2008
France	France	REEL	1	2008
Russia	Russia	Demag Cranes & Comp.	1	2008
Italy	Italy	ABS	3	2008
Germany	Germany	Demag Cranes -Germany	1	2008
Egypt	El Nasr	Demag Cranes-Germany	1	2008
Russia	Krasnogorsk	Demag Cranes-Germany	1	2008
U.A.E	Dubai	Demag Cranes-Germany	2	2008
Italy	Ambivere	Bonfanti	1	2008
India	India-Vedanta	E.C.L.	4	2008

States	Destination	Customer	Qty	Year
India	India-Nalco	E.C.L.	2	2008
ITALY	PIOMBINO	SIDERPIOMBINO	1	2009
IRAN	HORMOZAL	E.C.L. France	3	2009
EGYPT	ESISCO BESHAY STEEL	DEMAG CRANES GERMANY	17	2009
FRANCE	DUNKERQUE	E.C..L. France	2	2009
AUSTRALIA	BOYNE-AUSTRALIA	E.C.L. France	5	2009
UAE	EMAL-ABU DHABI	E.C.L. France	5	2009
AUSTRALIA	SIDNEY	EILBECK AUSTRALIA	1	2009
NEW ZEALAND	NEW ZEALAND	DEMAG CRANES AUSTRALIA	4	2009
RUSSIA	EKATERINBURG	DEMAG CRANES AND COMP. GERMANY	2	2009
RUSSIA	RUSSIA	BANG KRANSYSTEME GMBH	1	2009
ITALY	MILAN	MOCCHETTI GINO INDUSTRIE	1	2009
INDONESIA	INDONESIA	HEPPENSTALL SWITZERLAND	1	2009
ITALY	TREVISO	TITAN CRANES	5	2009
ITALY	ITALY	MOCCHETTI GINO INDUSTRIE	2	2010
FRANCE	FRANCE - PROJECT BOYNE MSFAC	E.C.L. FRANCE	2	2010
FRANCE	DUNKERQUE MSE - FRANCE	E.C.L. FRANCE	3	2010
FRANCE	FRANCE	SOMIRAM SA	1	2010
ITALY	ITALY	FERRIERE NORD SPA	1	2010
GERMANY	GERMANY	DEMAG CRANES A.G. GERMANY	1	2010
IRAN	IRAN	DEMAG CRANES A.G. GERMANY	2	2010
ITALY	ITALY	OFFICINE CAR	1	2010
China	China	DEMAG CRANES AG	1	2010
Mexico	Mexico	Sistemas Hormiga S.A	3	2010
GREAT BRITAIN	GREAT BRITAIN	DEMAG CRANES AND COMPONENTS LTD	1	2010
ITALY	ITALY	DEMAG CRANES SPA - ITALY	1	2010
ITALY	ITALY	ITALIAN INDUSTRIAL AGENCY SRL	1	2010
INDIA	INDIA - HINDALCO PROJECT	E.C.L. FRANCE	2	2010
CROATIA	CROATIA	MONTELEKTRO	1	2010
ITALY	ITALY	MOCCHETTI GINO INDUSTRIE	1	2010
ITALY	ITALY	DEMAG CRANES SPA - ITALY	1	2010

States	Destination	Customer	Qty	Year
Egypt	Giza - Egypt	DEMAG CRANES A.G. GERMANY	1	2010
France	Dunkerque	E.C.L. France	2	2010
Australia	Boyne	E.C.L. France	4	2010
LITHUANIA	LITHUANIA	UAB Baltic Cranes Ind.	1	2010
FRANCE	BORDEAUX - FRANCE	JOSEPH PARIS SA	1	2010
LATVIA	LATVIA	MC COMMUNICATION	1	2011
NEW ZEALAND	NEW ZEALAND	NZ ALU SMELTERS	1	2011
INDIA	HINDALCO	E.C.L. FRANCE	4	2011
SAUDI ARABIA	MAADEN	E.C.L. FRANCE	2	2011
ITALY	VICENZA	ACCIAIERIE BELTRAME SPA	1	2011
ITALY	ITALY	MOCCHETTI GINO SRL	1	2011
CANADA	JONQUIERE	E.C.L. FRANCE	4	2011
EQUADOR	EQUADOR	MECASER S.A.	1	2011
ITALY	ITALY	ALFA ACCIAI S.P.A.	2	2011
CHINA	CHINA	DEMAG CRANES AG	1	2011
LITHUANIA	LITHUANIA	UAB BALTIC CRANES INDUSTRY	1	2011
GERMANY	DUISPORT	DEMAG CRANES AG	1	2011
BELGIUM	LIXHE	DEMAG CRANES AG	1	2011
GERMANY	GERMANY	GLONING KRANTECHNIK	1	2011
MEXICO	MEXICO	SISTEMAS HORMIGA S.A. DE C.V.	2	2011
ITALIA	ITALIA	VALTORTA SRL	1	2011



briedacabins

Brieda Cabins

di Rino Brieda e figlio Srl

Via del Laghetto 21

33080 Porcia / Pn / Italy

Tel. +39 0434 921071

Fax +39 0434 922758

e-mail: brieda@briedacabins.com

<http://www.briedacabins.com>



briedacabins

Brieda Cabins

di Rino Brieda e figlio Srl

Via del Laghetto 21

33080 Porcia / Pn / Italy

Tel. +39 0434 921071

Fax +39 0434 922758

e-mail: brieda@briedacabins.com

<http://www.briedacabins.com>